

Quick Start Guide



REGULATORY INFORMATION
 We, Nortek Security & Control® LLC (NSC) of 5919 Sea Otter Place, STE 100, Carlsbad, CA 92010, declare under our sole responsibility that this device complies with Part 15 of the FCC rules.

FCC & IC Notice
 This device complies with Part 15 of the FCC Rules and Industry Canada license exempt standard(s). Operation is subject to the following two conditions: (1) This device may not cause harmful interference, and (2) This device must accept any interference received, including interference received that may cause undesired operation.

Le présent appareil est conforme aux CNR d'Industrie Canada applicables aux appareils radio exempts de licence. L'exploitation est autorisée aux deux conditions suivantes: (1) l'appareil ne doit pas produire de brouillage, et (2) l'utilisateur de l'appareil doit accepter tout brouillage radioélectrique subi, même si le brouillage est susceptible d'en compromettre le fonctionnement.

This Class B digital apparatus complies with Canadian ICES-003. Cet appareil numérique de la classe B est conforme à la norme NMB-003 du Canada.

This equipment has been tested and found to comply with the limits for a Class B digital device, pursuant to Part 15 of the FCC Rules. These limits are designed to provide reasonable protection against harmful interference in a residential installation.

This equipment generates, uses, and can radiate radio frequency energy and, if not installed and used in accordance with the instructions may cause harmful interference to radio communications. However, there is no guarantee that interference will not occur in a particular installation.

If this equipment does cause harmful interference to radio or television reception, which can be determined by turning the equipment off and on, the user is encouraged to try to correct the interference by one or more of the following measures:

- Reorient or relocate the receiving antenna.
- Increase the separation between the equipment and receiver.
- Connect the equipment into an outlet on a circuit different from that to which the receiver is connected.
- Consult the dealer or an experienced radio/TV technician to help.

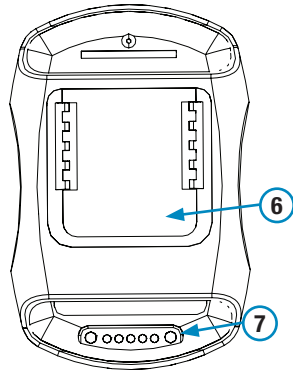
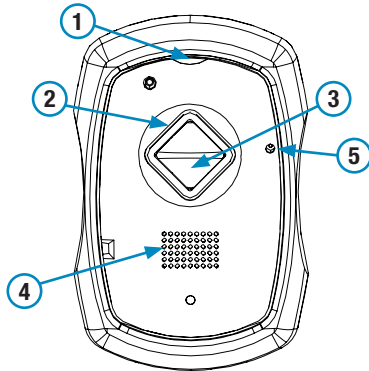
WARNING: Changes or modifications not expressly approved by the manufacturer could void the user's authority to operate the equipment.

For more information about Libris 2 visit
www.numera.com

Numera, Numera Libris 2®, "Measurably Better Health" are trademarks of Nortek Security & Control LLC. All other company and product names used herein may be trademarks, or registered trademarks of the respective companies.

About Libris 2®

- 1. Cellular Indicator** shows cellular signal strength.
- 2. Battery Indicator**, which surrounds the Call Button, shows battery status.
- 3. Call Button**, when pushed, initiates a two-way call to your service provider response team.
- 4. Speaker** allows you to hear your service provider response team.
- 5. Microphone** allows service provider response team to hear you. It is placed 2/3 up the right hand side of the front face.
- 6. Clip Lock** enables you to affix a Lanyard Clip or Belt Clip.
- 7. Charging Pins** connect Libris 2 to the Cradle (be sure to keep these pins clean and free of debris)



Battery & Cellular Indicators

Battery Indicator around Call Button shows the level of battery charge.

Battery Indicator	Status*	Action Required
Green	Good	Ready for use
Amber	Moderate	No action needed
Red	Low	Charge soon

*Battery is designed to hold a charge for 36 hours but will be reduced as a result of user activity, cellular coverage, talk time, device-specific settings, and device life.

Cellular Indicator on top of Libris 2® shows cellular signal strength.

Cellular Indicator	Signal Strength*
Green	Strong
Amber	Moderate
Red	No Signal

*A cellular signal may not be available in all areas.

IMPORTANT: Libris 2 requires an adequate cellular signal to function properly. Check with your service provider for coverage limitations.

Quick Reference

Turn Libris 2® ON: Press the **Call Button** and hold until the Battery Indicator flashes.

Turn Libris 2® OFF: Press the **Call Button** twice quickly; hold the second press for 7 seconds or until Libris 2 plays a message confirming your request to turn off. Press the Call Button again to confirm.

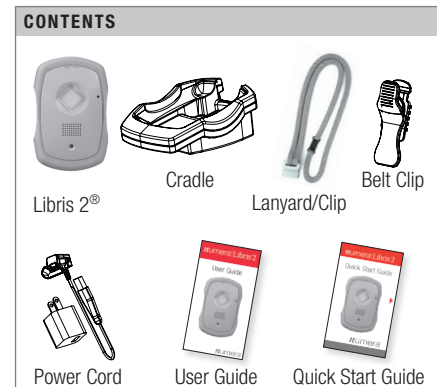
Place an emergency call:

1. Press and hold the **Call Button**.
2. Listen for the alert tone, followed by the audio message: *"Calling your response team now. Please hold the device and position the microphone near your mouth to complete your call."*
3. Your response team will answer and notify emergency services for you.

Enjoy new freedom

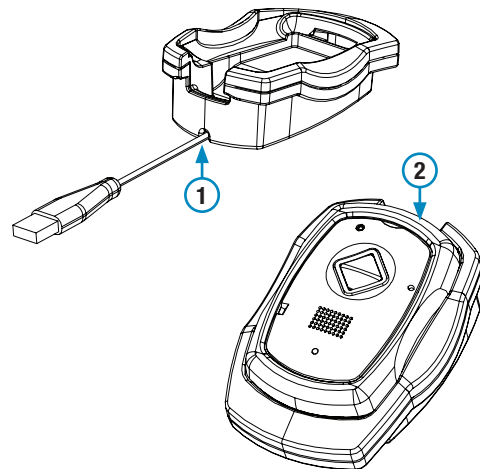
This Quick Start Guide will help you set up and activate Libris 2. **Please read this entire guide and the separately provided product warnings before using Libris 2 to ensure it is set up correctly and ready for use.**

What's in the Box



Step 1: Activate Libris 2[®]

1. Connect Power to the Cradle.
2. Place Libris 2 in the Cradle.
3. Libris 2 will automatically turn on and begin activation.
4. Follow the voice prompts until directed to connect to your response team.



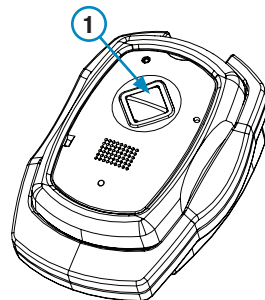
Step 2[®]: Call to Set Up

1. Press and hold the **Call Button**.
2. Your response team will answer shortly to customize Libris 2 and complete set up.
3. After the call, charge Libris 2 in the Cradle for 4 hours. Then it is ready for use.

IMPORTANT:

Libris 2 is **not ready for use** until you have:

- Charged Libris 2 in the Cradle for 4 hours
- Completed a call with the response team

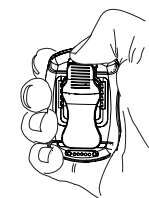
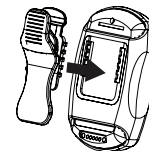


Step 3: Wearing Libris 2[®]

Libris 2 can be worn on a belt using the Belt Clip. Although the Libris 2 can be worn inside clothing, be advised it may be difficult to reach help button in an emergency. Talk to your health care provider regarding the most effective way to wear your Libris 2.

To attach the Belt Clip or Lanyard/Clip:

1. Align the notched side of Clip with the notched area on the back.
2. Press until the Clip notches are nested within the Libris 2 notches.
3. Firmly push the Belt Clip toward the top of Libris 2 to open the clip. Slide open end of the clip over the edge of intended area to be worn, then release.



Step 4: Review User Guide

The User Guide provides key information about Libris 2, including Important Safety Information. Please review it carefully and keep it nearby for reference.

If you have questions, call your response team.

By activating your Numera Libris 2 you agree to the Terms of Use and understand the Important Safety Information in the Numera Libris 2 User Guide as well as the additional Warning Information provided with your Libris 2 device.

LANYARD WARNING: STRANGULATION AND CHOKING HAZARD

A user can suffer serious personal injury or death if the cord becomes entangled or stuck on objects. For this reason, use only the provided breakaway lanyard. To reduce risk of strangulation, the provided lanyard is designed to break apart under certain conditions. Modified, or other lanyards, are not to be used.